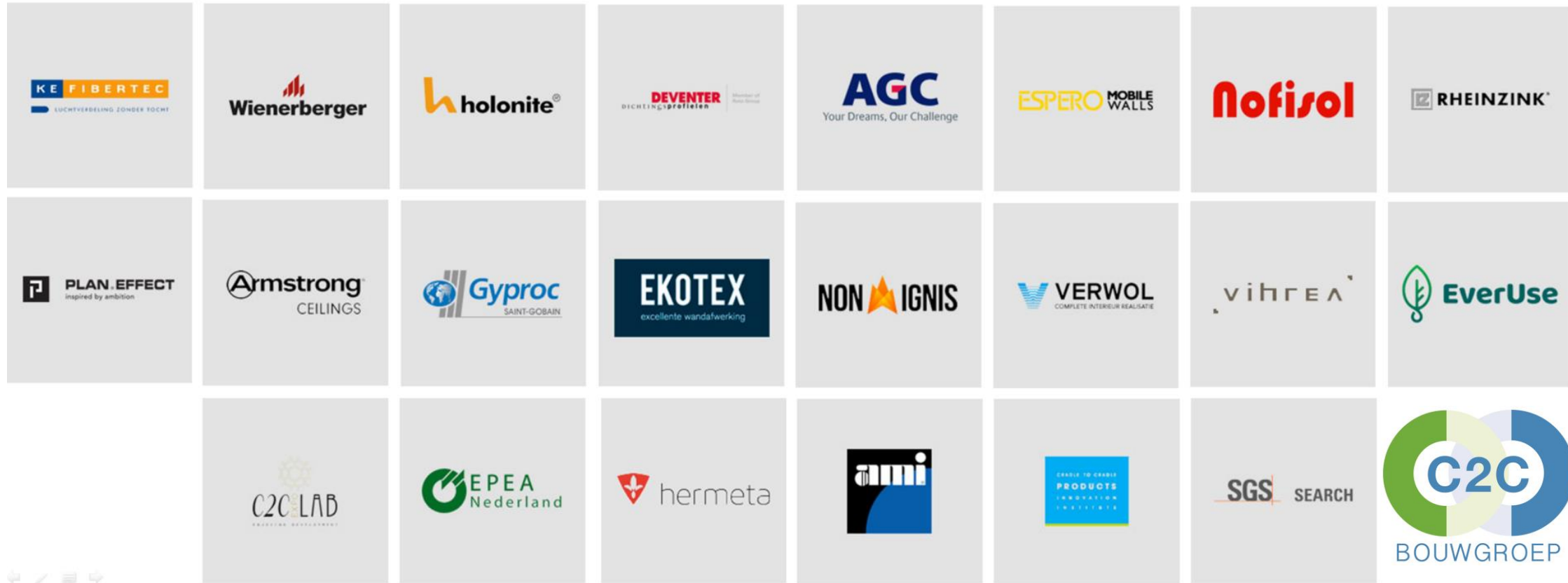




## Kees Verweel

Chairman C2C Bouwgroep  
General manager DEVENTER Profielen

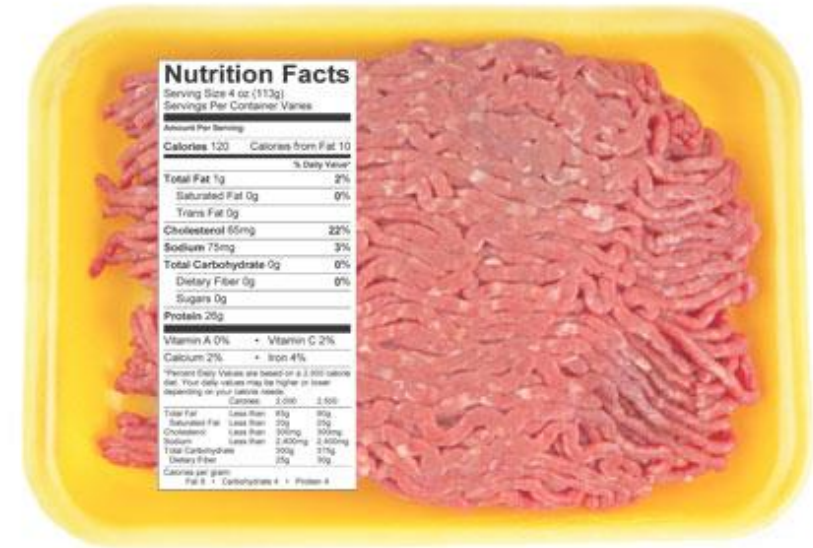
# Circular products for the built environment? C2C Bouwgroep!



5-6 December, 2019 | RAI, Amsterdam

WASTE BUILD

# We (could) know what we eat....





# What about building materials / products?

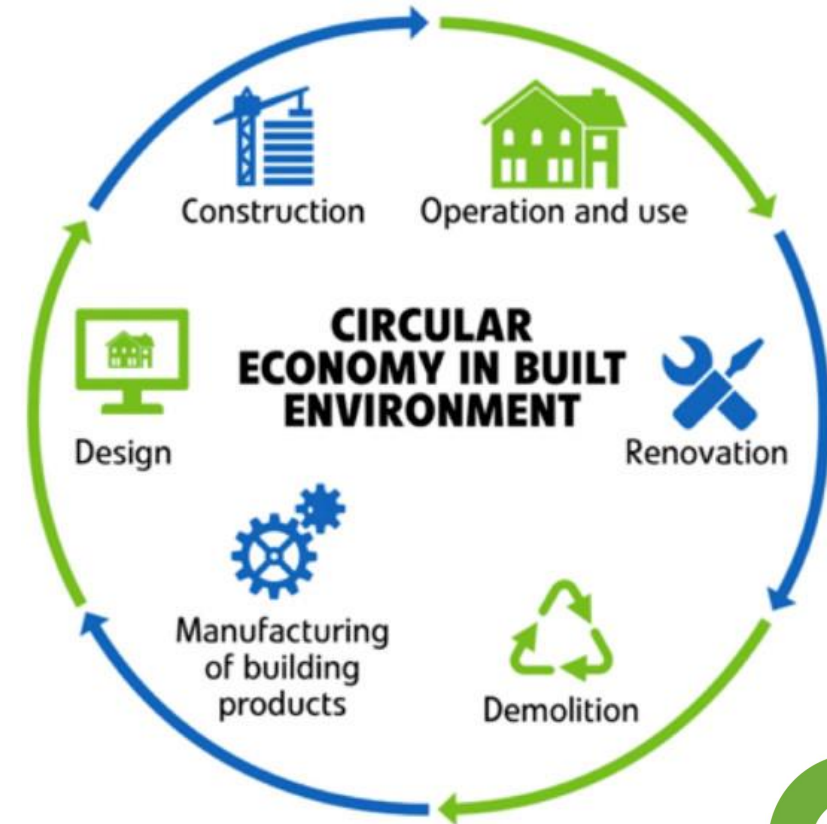
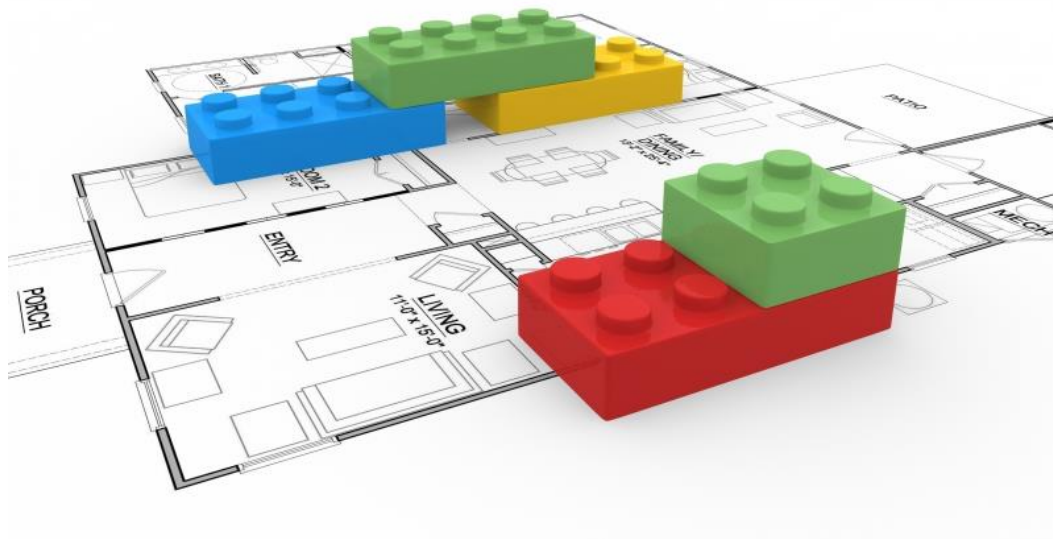


5-6 December, 2019 | RAI, Amsterdam

WASTE**BUILD**

# So before we start with;

## Circular design

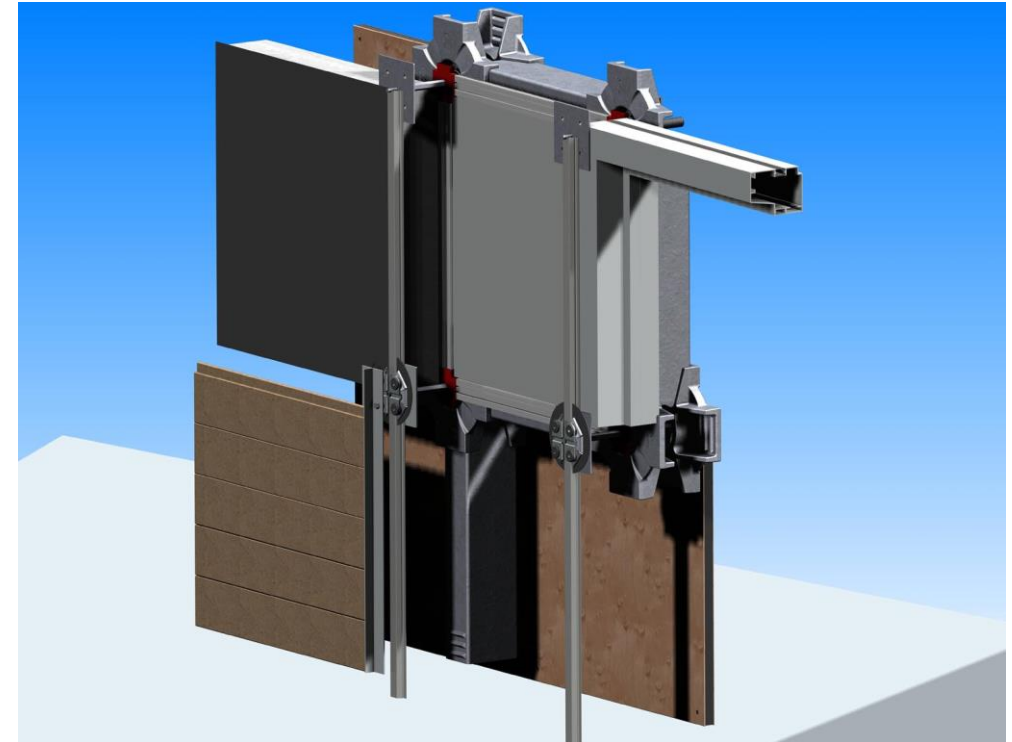
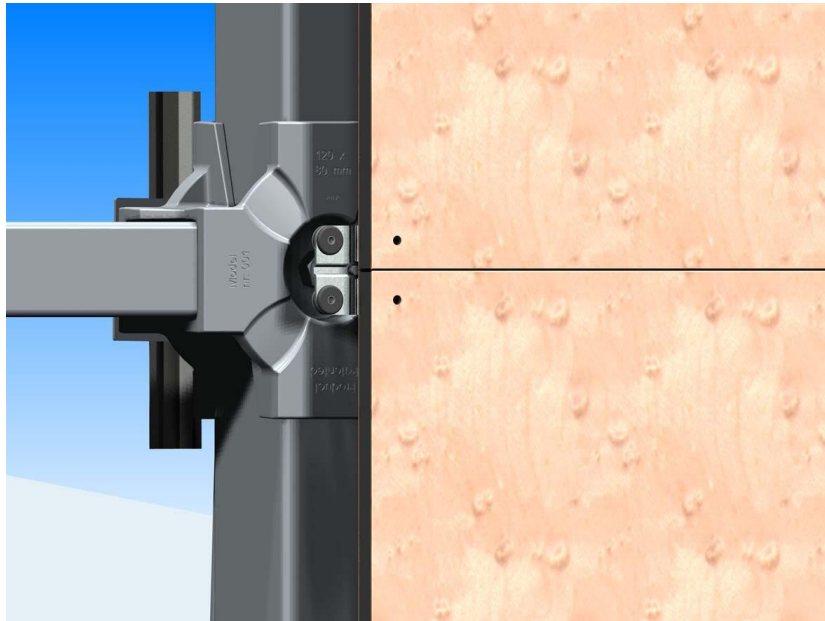


5-6 December, 2019 | RAI, Amsterdam

WASTEBUILD

# So before we start with;

## Redesigning products



5-6 December, 2019 | RAI, Amsterdam

WASTE**BUILD**



# So before we start with;

## Alternative (raw) materials

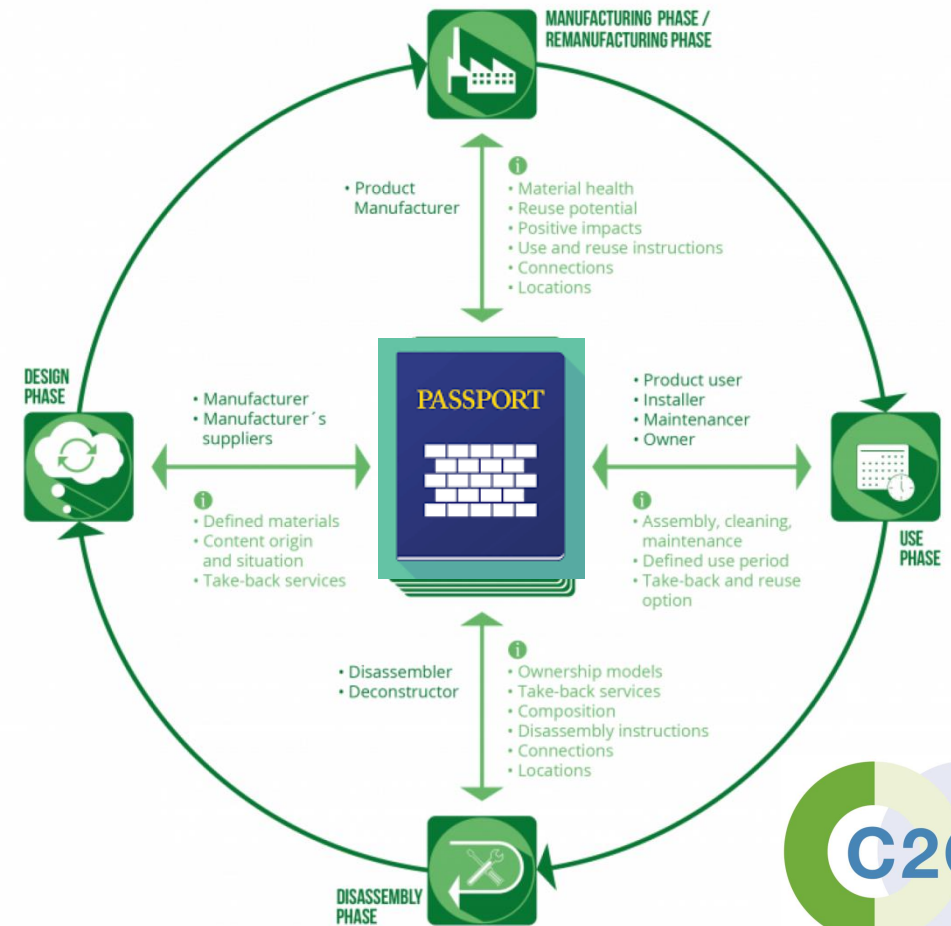
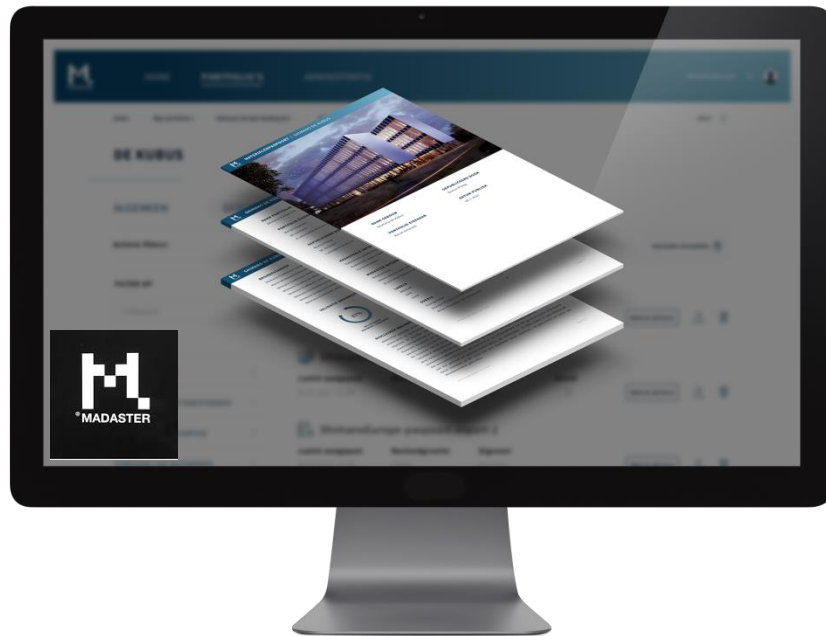


5-6 December, 2019 | RAI, Amsterdam

WASTE**BUILD**

# So before we start with;

## Documenting



5-6 December, 2019 | RAI, Amsterdam

WASTEBUILD



# So before we start with;

Reuse / recycle / upcycle



5-6 December, 2019 | RAI, Amsterdam

WASTE**BUILD**

# Make sure materials are healthy!



# As we speak... PFAS crisis

## DutchNews.nl

9.4°

Thursday 28 November 2019

News | Features | Blogs | Jobs | Housing | Best of the Web | Donate | Advertise



Home | Politics | **Business** | Society | Sport | Education | Health | Tech & Media | International | Europe

### Builders mass in The Hague to protest about pollution rules

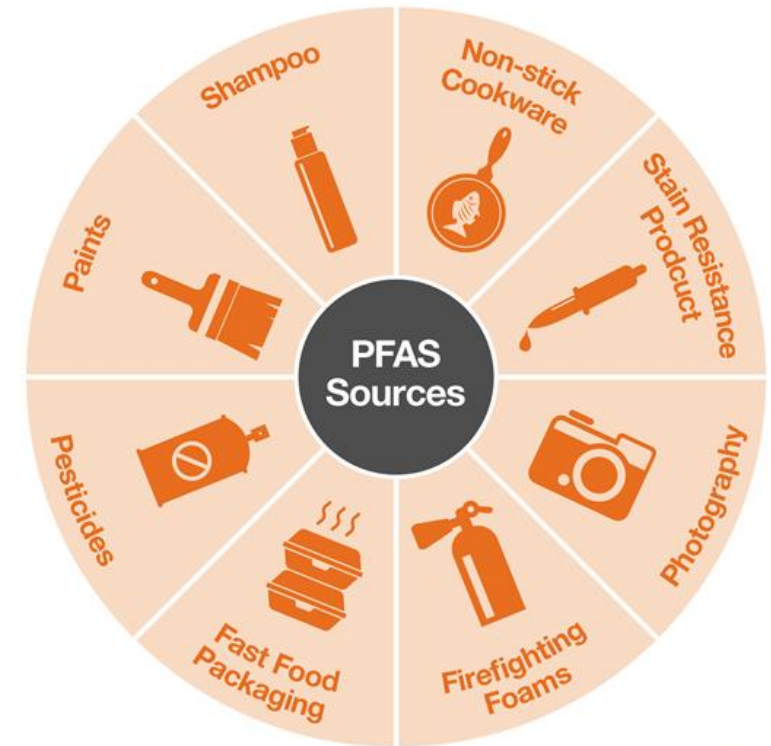
Business | October 30, 2019



By dawn, the Malieveld was already filling up. Photo: Ramon van Flymen / Hollandse-Hoogte

#### Features

- What you need to read: our holiday season recommendations
- PissWife: Don't mess with the Dutch feminist zine and community
- India and the Netherlands - Past, Present and Future
- The Dutch News Podcast – The Hook Us Up Hoekstra Edition – Week 47
- 'I stick to the Swedish way of always wearing a bike helmet!'
- How to cut your energy bills and save hundreds of euros a year



5-6 December, 2019 | RAI, Amsterdam

WASTE **BUILD**



# Not only affecting built environment



EXPAT INFO ▾ CAREER ▾ HOUSING ▾ EDUCATION ▾ LIFESTYLE ▾ EXPAT SERVICE



## Slippery winter roads likely in NL: Road salt contains harmful chemicals

181  
SHARES



13 November 2019 , By [Mina Solanki](#)

This winter, the Netherlands may not be able to keep the roads from icing over, as a preliminary investigation found high levels of the chemical PFAS in the rock salt supply.

### Why is PFAS so bad?

PFAS refers to a vast group of perfluorinated alkylated substances that have been widely used in industrial and consumer applications. PFOA is one of the chemicals belonging to the PFAS group. This chemical does not occur naturally and is often used to create a protective layer for products, for example, cardboard boxes, non-stick frying pans, clothes and rugs.



5-6 December, 2019 | RAI, Amsterdam

WASTE BUILD

# Make sure materials are healthy!



5-6 December, 2019 | RAI, Amsterdam

WASTE**BUILD**

# Make sure materials are healthy!



As safe as possible for humans & environment  
Assessed for (hazardous) chemical nutrients  
**Crucial for the circular economy!**





# Low(est) carbon footprint possible!



No or low emissions

Renewable energy, water management

No or low waste manufacturing processes



Make the right choices, today!

Earth will survive without humans.....

Humans cannot survive without earth.....

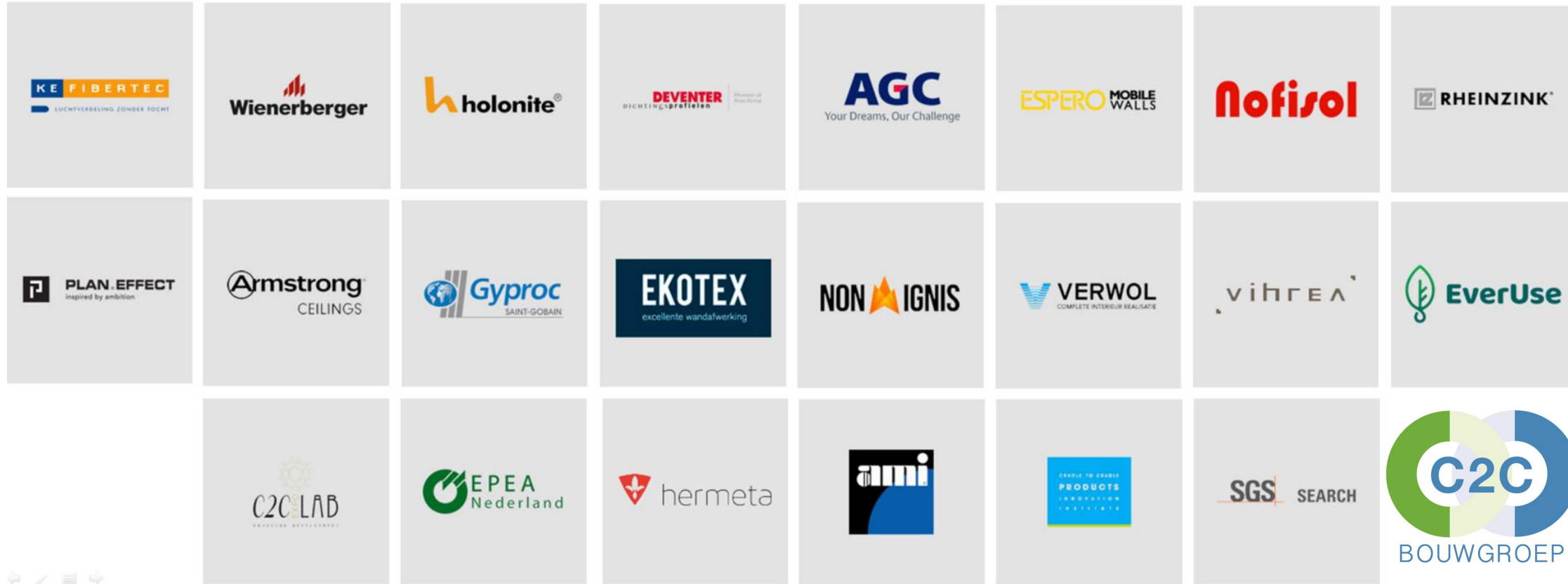


5-6 December, 2019 | RAI, Amsterdam

WASTE**BUILD**



# We take our responsibility Please join us.....



5-6 December, 2019 | RAI, Amsterdam

**WASTE**BUILD